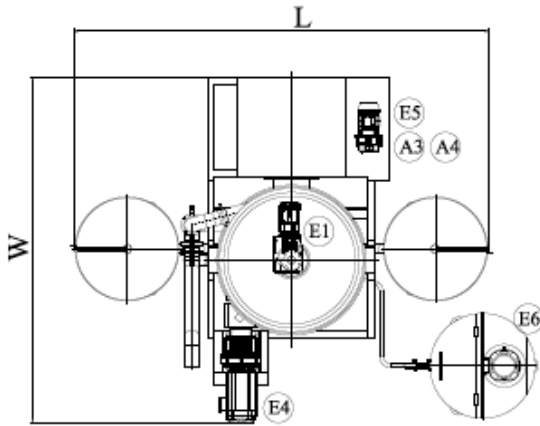
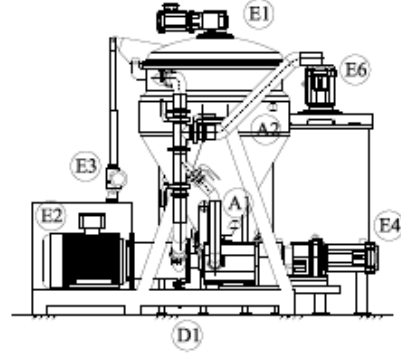
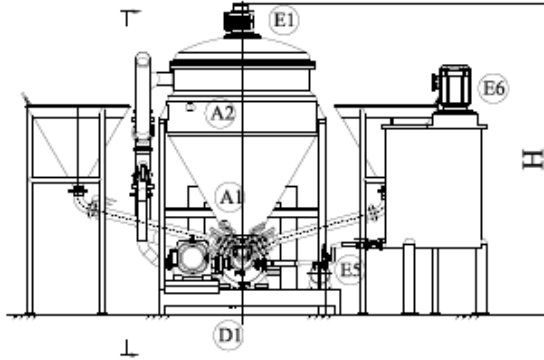


ITEM #	
MODEL #	
PROJECT NAME #	
SIS #	
AIA #	



PERMIX PVC UNIVERSAL VACUUM PROCESSOR



A: Water connection
 E: Electrical connection
 D: Drain port